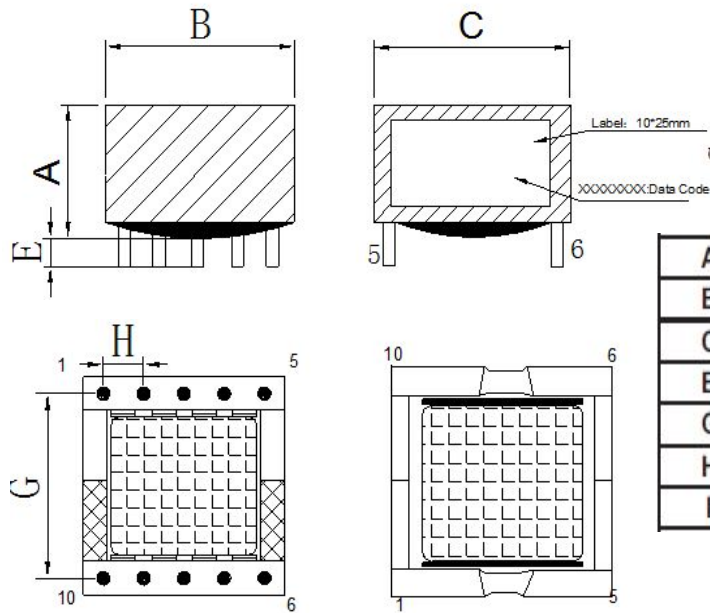


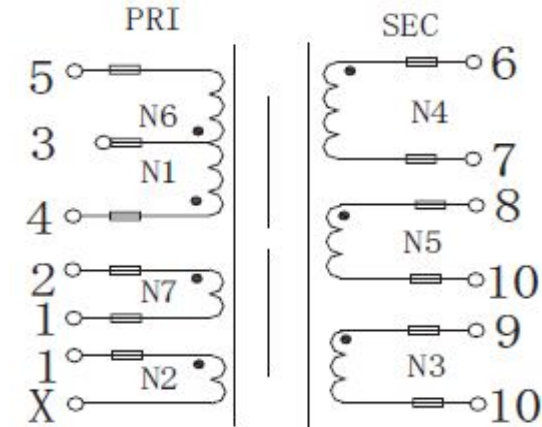
CUSTOMER TERMINAL	ROHS	Lead(Pb)-free
	YES	YES

## 1. Mechanical Dimensions



A	22.0	MAX
B	28.0	MAX
C	26.9	MAX
E	3.0	±0.5
G	22.5	±0.4
H	5.0	±0.3
I	0.8	±0.1

## 2. Schematic Diagram



## 3. Material List

Core:FW44 EFD25/25/9  
 Bobbin:FWB2506(5+5PIN)  
 Wire:2UEW TIW  
 Operating Temperature: -30 to115 °C

## 4. Electrical Specification

Inductance : L(4-5):0.76mH±5% 50KHZ , 1.0V  
 Leakage Inductance : 20uH MAX 50KHZ , 1.0V  
 DCR : (4-5)=1.32Ω MAX (10-8)=103mΩ MAX  
 Hi-Pot:P-S: AC 60Hz 4000V 1mA 3S  
 P-CORE: AC 60Hz 500V 1mA 3S

REV.	DATE	 Convention Placement	DRW.	Drawing Title:	Part No:		
0	00/00		CHK.			<b>TRANSFORMER</b>	FWPTEFD25H761J-1
			APP.			Customer P/N	Specification Sheet 1of 1
<b>ROHS</b>		<a href="http://www.ferriwo.com">www.ferriwo.com</a>					